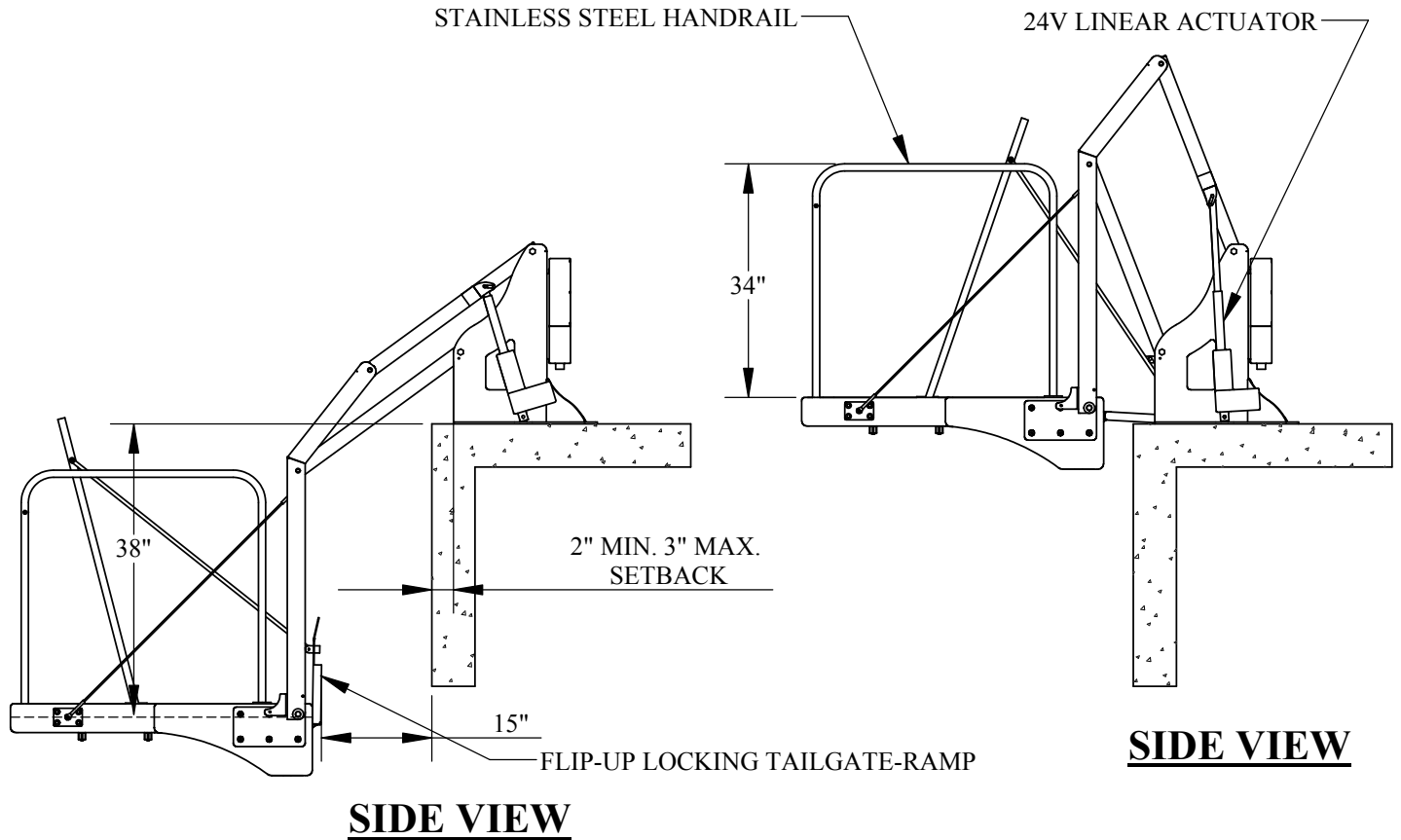
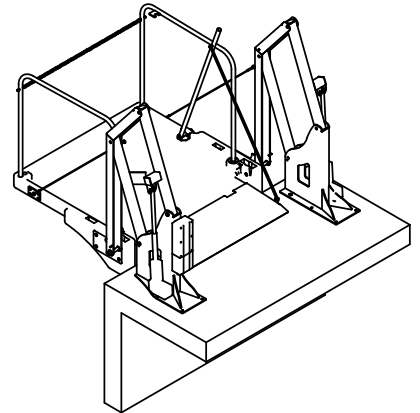


# THE LIBERTY LIFT™



## SPECIFICATIONS

THE LIBERTY LIFT SHALL BE A 24V DC BATTERY POWERED IN-GROUND POOL LIFT. THE LIFT SHALL BE DESIGNED TO SUPPORT 400 LBS. AND SHALL ACCOMODATE A USER WITH OR WITHOUT A WHEELCHAIR. THE LIFT SHALL LOWER INTO THE POOL TO A MAXIMUM DEPTH OF 38". THE ACCESS RAMP SHALL BE ATTACHED TO THE PLATFORM AND SHALL DOUBLE AS A TAILGATE WHILE THE LIFT IS IN USE. THE LIFT PLATFORM SHALL BE FLIPPED UP MANUALLY AND LOCKED INTO THE STOWED POSITION WHILE THE LIFT IS NOT IN USE. WHILE IN THE STOWED POSITION THE LIFT SHALL NOT EXTEND OVER THE POOL EDGE. A 24 VOLT WATERPROOF CONTROLLER SHALL BE USABLE BY THE OPERATOR OR AN ATTENDANT. A CONTROL BOX, BATTERY CHARGER, AND ONE REMOVABLE 24V RECHARGABLE BATTERY SHALL BE INCLUDED WITH THE LIFT. THE LIFT FRAME SHALL BE TYPE 304 STAINLESS STEEL CONSTRUCTION. THE LIFT PLATFORM SHALL BE CONSTRUCTED OF ROTOMOLDED LLDPE AND SHALL BE 38" WIDE BY 40" LONG. THE LIFT SHALL CARRY A FIVE YEAR WARRANTY ON ALL STRUCTURAL COMPONENTS.

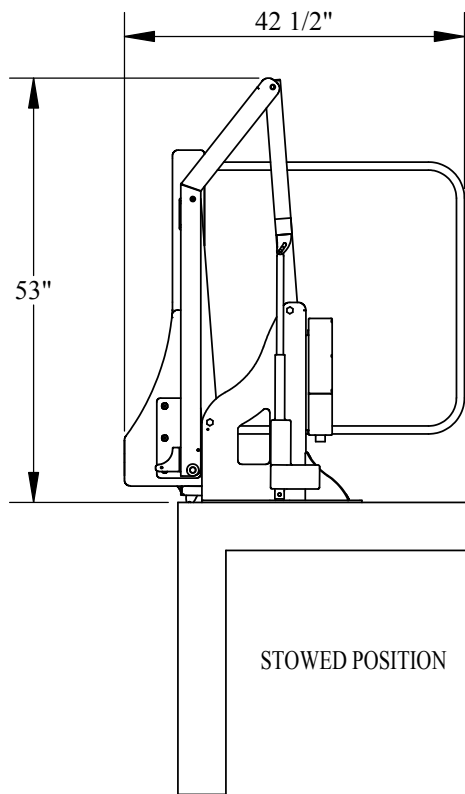


3015 W. RAILROAD ST. #8  
 MISSOULA, MT 59808  
 (406) 549-0769  
 FAX (406) 549-2602

NOTE:  
 \*SPECIFICATIONS ARE SUBJECT TO CHANGE WITHOUT NOTICE  
 \*ALL DIMENSIONS ARE IN INCHES

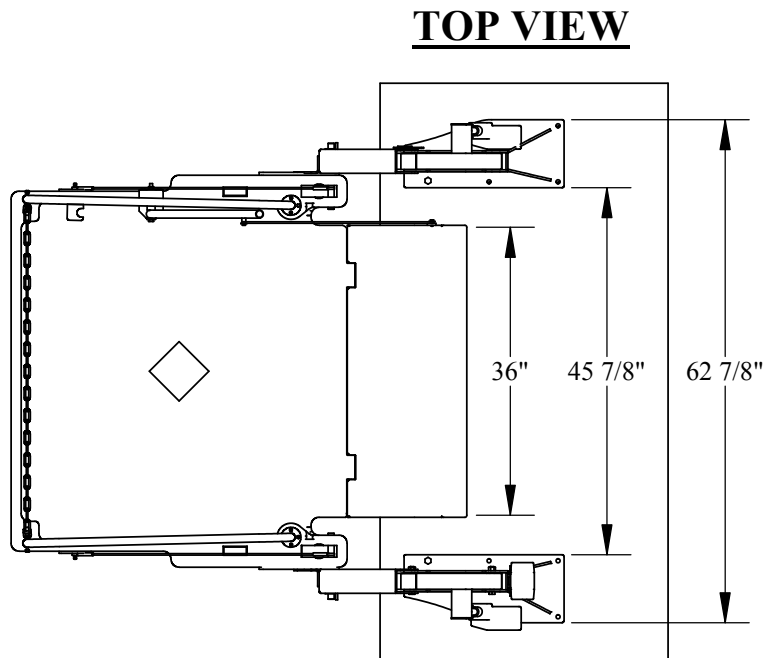
PRODUCT:	F-009LLB	
DWG #:	F-009LLB-1	
SCALE:	1:24	DATE: 09/10/06
DRAWN BY:	DS	REVISION: B

# THE LIBERTY LIFT™

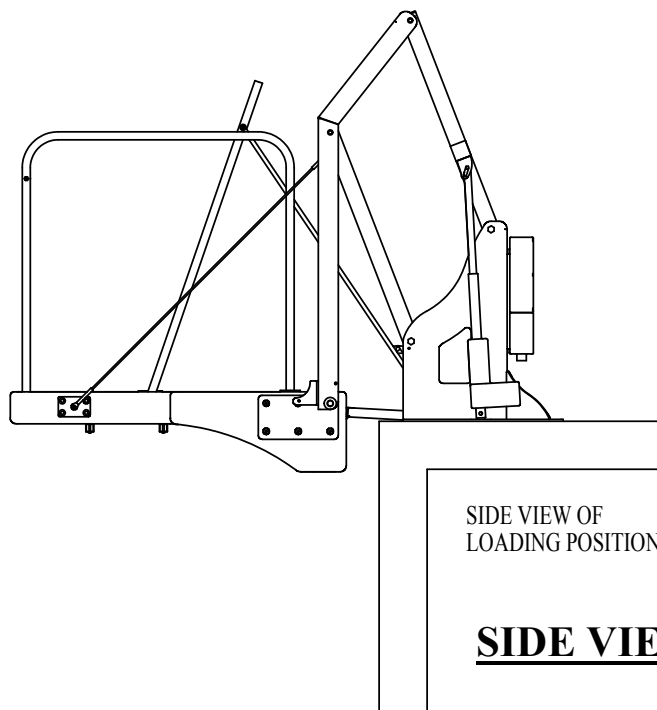


STOWED POSITION

## SIDE VIEW



TOP VIEW OF LOADING POSITION



SIDE VIEW OF  
LOADING POSITION

## SIDE VIEW



3015 W. RAILROAD ST. #8  
MISSOULA, MT 59808  
(406) 549-0769  
FAX (406) 549-2602

NOTE:

\*SPECIFICATIONS ARE SUBJECT TO CHANGE WITHOUT NOTICE  
\*ALL DIMENSIONS ARE IN INCHES

PRODUCT:	F-009LLB	
DWG #:	F-009LLB-2	
SCALE:	1:24	DATE: 09/10/06
DRAWN BY:	DS	REVISION: B