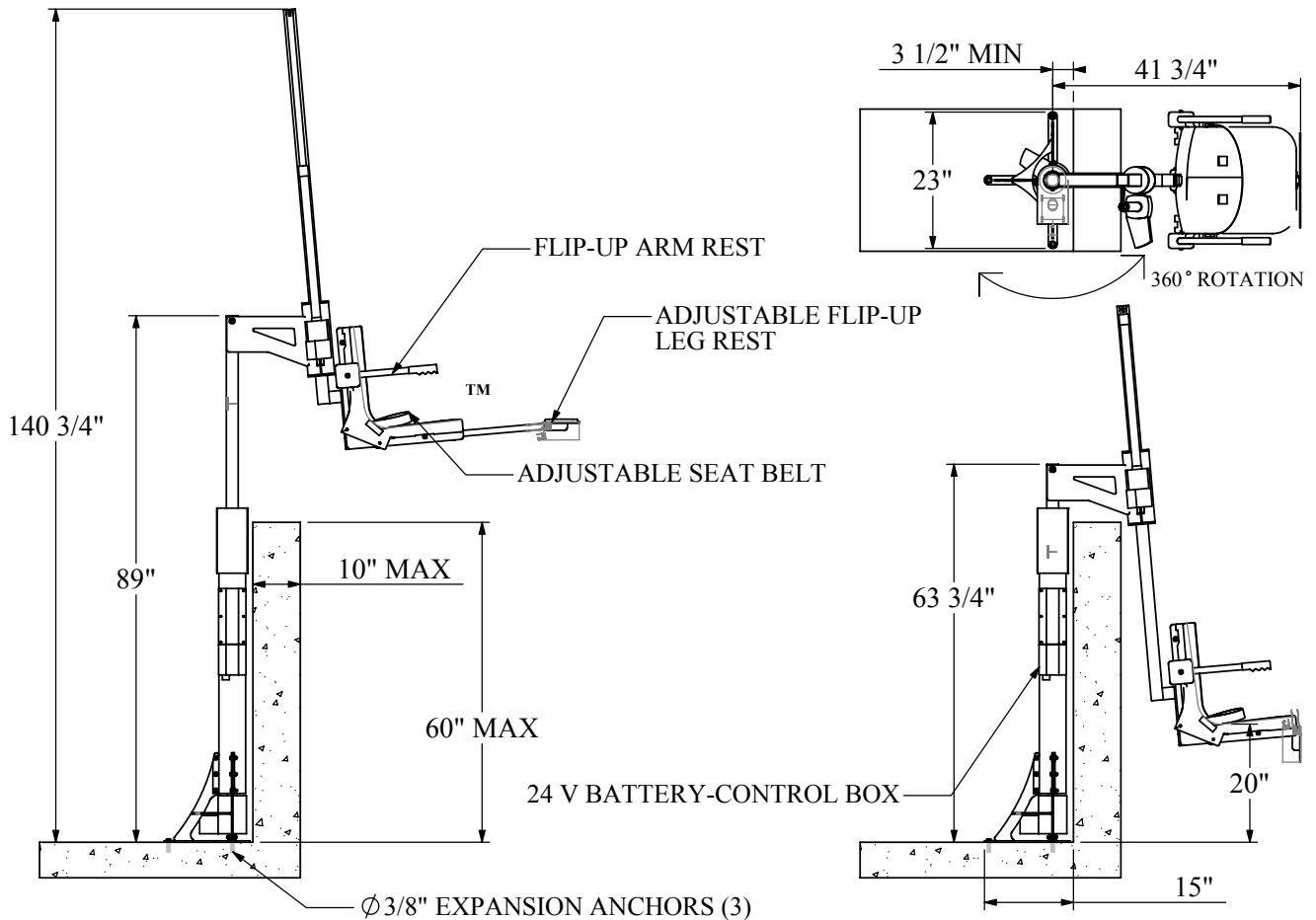


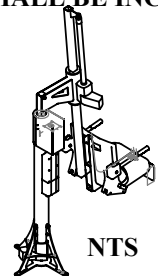
THE PRO SPA LIFT - EXTENDED LIFT



SPECIFICATIONS

THE AQUA CREEK PRO SPA LIFT -EXTENDED LIFT SHALL BE A SELF-OPERABLE 24 VOLT, ELECTRONICALLY ACTUATED ABOVE GROUND HOT TUB OR SPA LIFT. THE LIFT SHALL BE POWERED BY A 24V RECHARGABLE BATTERY CAPABLE OF BEING REMOVED FOR CHARGING. THE LIFT SHALL BE STAINLESS STEEL CONSTRUCTION WITH A LIFTING CAPACITY OF 300 LBS. THE LIFT SHALL BE CAPABLE OF CLEARING A 60" HIGH, 10" WIDE WALL. THE HOUSING SHALL BE MOUNTED TO THE DECK USING THREE ANCHOR POINTS. THE LIFT SHALL BE POWERED UP AND DOWN, AND SHALL ROTATE 360° IN EITHER DIRECTION. THE PRO SPA ELECTRIC SHALL INCLUDE AN ADJUSTABLE SEAT BELT, ADJUSTABLE PULL-OUT LEG REST, AND A FLIP-UP ARM REST. A 5-YEAR LIMITED WARRANTY IS STANDARD. ALL MOUNTING HARDWARE SHALL BE INCLUDED.

BATTERY:	24 V DC RECHARGABLE BATTERY PACK
MAIN HOUSING:	Ø4" SCHEDULE 10 PIPE STAINLESS STEEL TYPE 304
CHAIR ARM:	2" SQUARE TUBE STAINLESS STEEL TYPE 304
CHAIR:	ROTATIONALLY MOLDED UV STABILIZED POLY-ETHEYLENE (LLDPE)
ANCHORS:	3/8" DROP-IN EXPANSION ANCHORS (3) STAINLESS STEEL TYPE 304
FINISH:	UV RESISTANT POLYESTER POWDER COATING



NTS