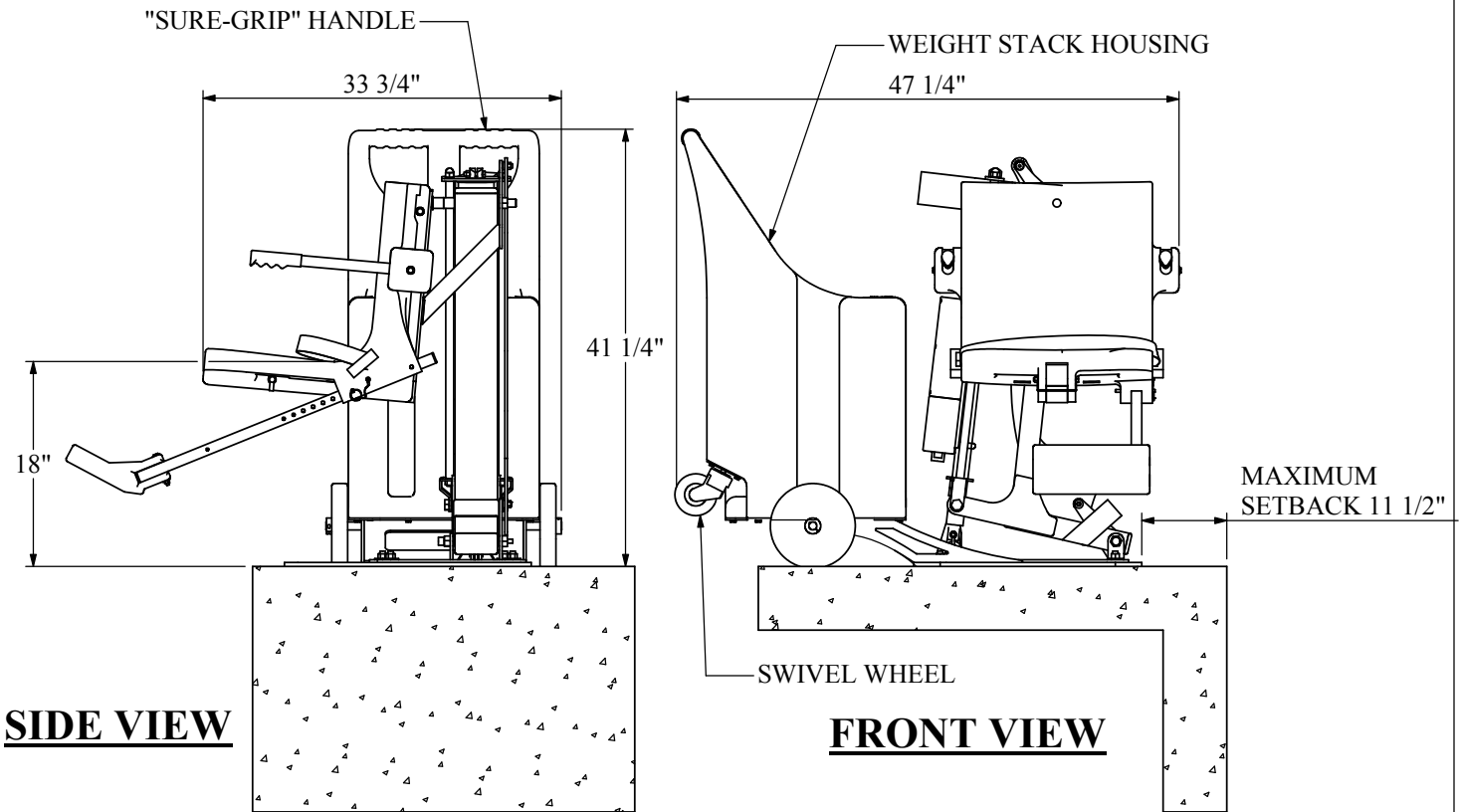


PORTABLE PRO POOL LIFT™



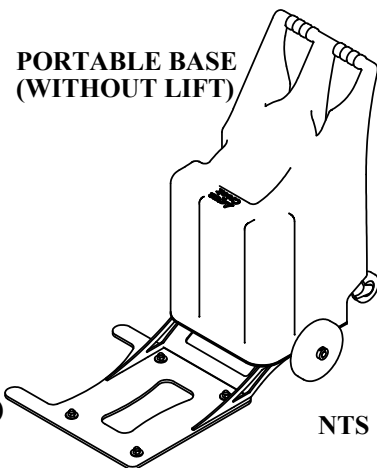
SPECIFICATIONS

THE AQUA CREEK PORTABLE PRO POOL LIFT SHALL BE A PORTABLE VERSION OF THE STANDARD PRO POOL LIFT. THE PORTABLE PRO POOL LIFT SHALL COME STANDARD WITH A CAST IRON WEIGHT STACK ENCLOSED IN A LLDPE ROTATIONALLY MOLDED HOUSING WITH AN INTEGRATED HANDLE. THE PORTABLE BASE SHALL BE CONSTRUCTED OF STAINLESS STEEL AND BE ABLE TO BE RETRO-FITTED ON TO ANY EXISTING PRO POOL LIFT. THE PORTABLE BASE ALLOWS THE PRO POOL LIFT TO BE PLACED ANYWHERE ON A POOL DECK WITHOUT THE USE OF ANCHORS. THE MAXIMUM CAPACITY OF THE PORTABLE PRO POOL LIFT SHALL BE 400 LBS. THE PORTABLE BASE SHALL CARRY A 5-YEAR WARRANTY ON ALL STRUCTURAL COMPONENTS.

BASE PLATE:	3/8" STAINLESS STEEL TYPE 304
MAIN FRAME:	3/16" STAINLESS STEEL TYPE 304
WEIGHT STACK:	14 - 14 1/4" Ø 50 LB. CAST IRON PLATES WITH LLDPE PLASTIC SEALED HOUSING
WHEELS (2):	8" POLYOLYFIN HUB WITH NON-MARKING RUBBER TREAD
CASTER WHEELS (2):	4" SWIVEL WHEEL W/ NON-MARKING TREAD
FINISH:	UV RESISTANT EPOXY POWDER COATING

NOTE:
THE PRO POOL PORTABLE KIT (#F-010POR) IS AVAILABLE FOR USE WITH EXISTING PRO POOL LIFT

PRO POOL PORTABLE - BATTERY SHOWN AT TOP OF PAGE (#F-004PPE)
PRO POOL PORTABLE - WATER NOT SHOWN (#F-004PPP)



3015 W. RAILROAD ST. #8
MISSOULA, MT 59808
(406) 549-0769
FAX (406) 549-2602

NOTE:
*SPECIFICATIONS ARE SUBJECT TO CHANGE WITHOUT NOTICE
*ALL DIMENSIONS ARE IN INCHES

PRODUCT:		F-004PPPBB
DWG #:		F-004PPPBB
SCALE:	DATE:	
1:18	10/18/06	
DRAWN BY:	REVISION:	
DS	C	