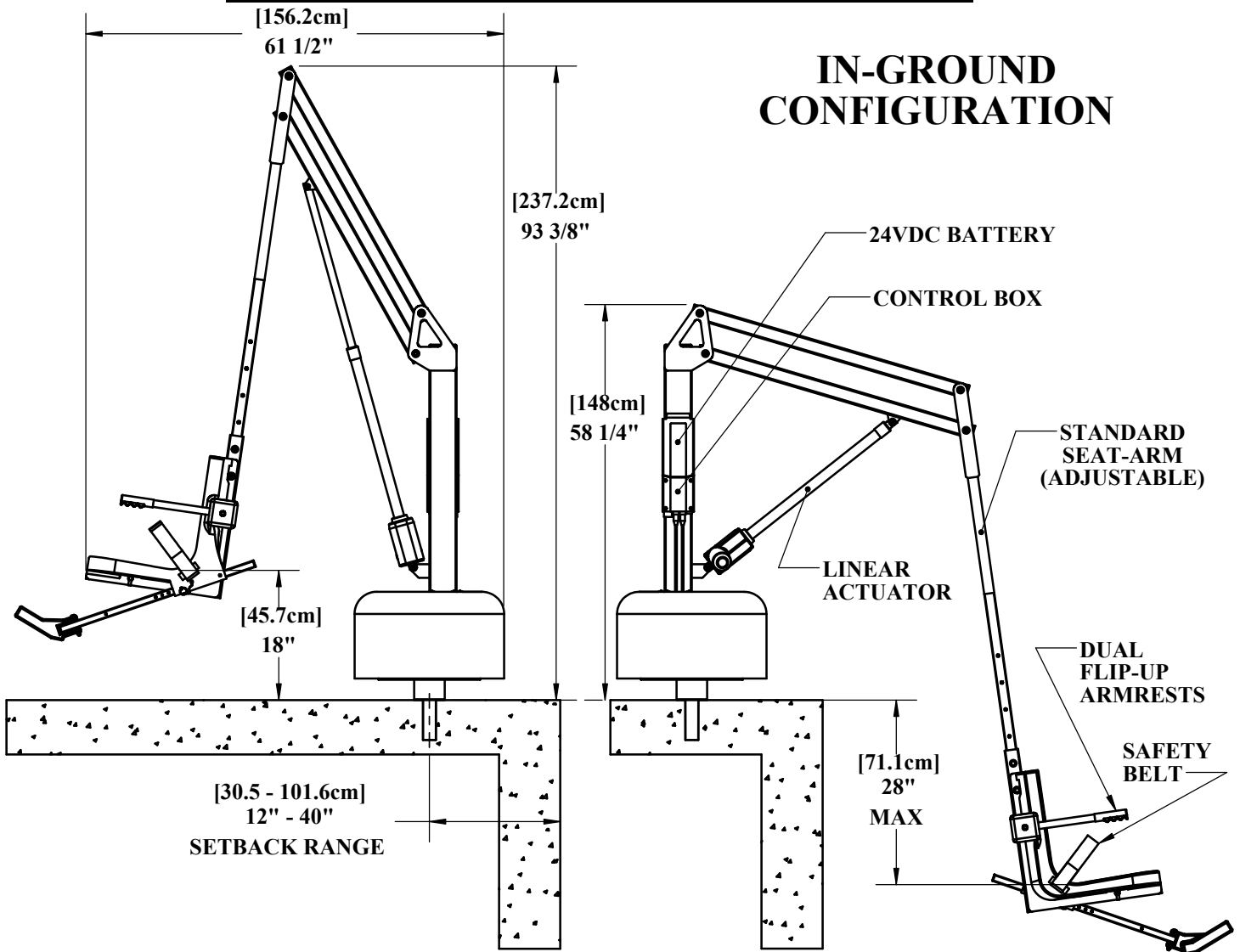


# THE REVOLUTION LIFT™

## IN-GROUND CONFIGURATION



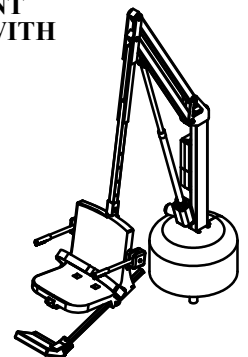
## SPECIFICATIONS

THE AQUA CREEK REVOLUTION LIFT SHALL BE A 24 VDC BATTERY POWERED SPA OR POOL LIFT. THE LIFT SHALL BE OF STAINLESS STEEL CONSTRUCTION WITH A LIFTING CAPACITY OF 500 LBS [227 kgs]. THE LIFT SHALL HAVE AN OPERATING RANGE OF 46" [117 cm] AND HAVE AN ADJUSTABLE SEAT ARM TO ALLOW FOR IN-GROUND OR ABOVE-GROUND OPERATION. THE REVOLUTION LIFT CAN BE SETBACK UP TO 40" [102 cm] FROM THE POOL EDGE WITH UNLIMITED 360° OF POWERED ROTATION. THE UNIT SHALL INCLUDE A 6" [15.2 cm] DEEP ANCHOR WITH AN ANTI-TAMPER LID. STANDARD EQUIPMENT SHALL INCLUDE A SAFETY BELT, A FLIP-UP FOOTREST AND AN 18" [45.7 cm] WIDE SEAT WITH DUAL FLIP-UP ARMRESTS. A 5 YEAR STRUCTURAL WARRANTY IS STANDARD.

MAST: 2" X 4" X .120" [5.1 X 10.2 X .31 cm] TYPE 304 STAINLESS STEEL TUBE  
 BOOM: 2" X 2" X .120" [5.1 X 5.1 X .31 cm] TYPE 304 STAINLESS STEEL TUBE  
 LINEAR ACTUATOR: LINAK LA-34  
 ROTARY ACTUATOR: 24VDC ROTARY MOTOR  
 FINISH: UV RESISTANT EPOXY POWDER COATING

### ACCESSORIES:

ANCHOR: PART NUMBER F-710RLA  
 COVER: PART NUMBER F-720RC



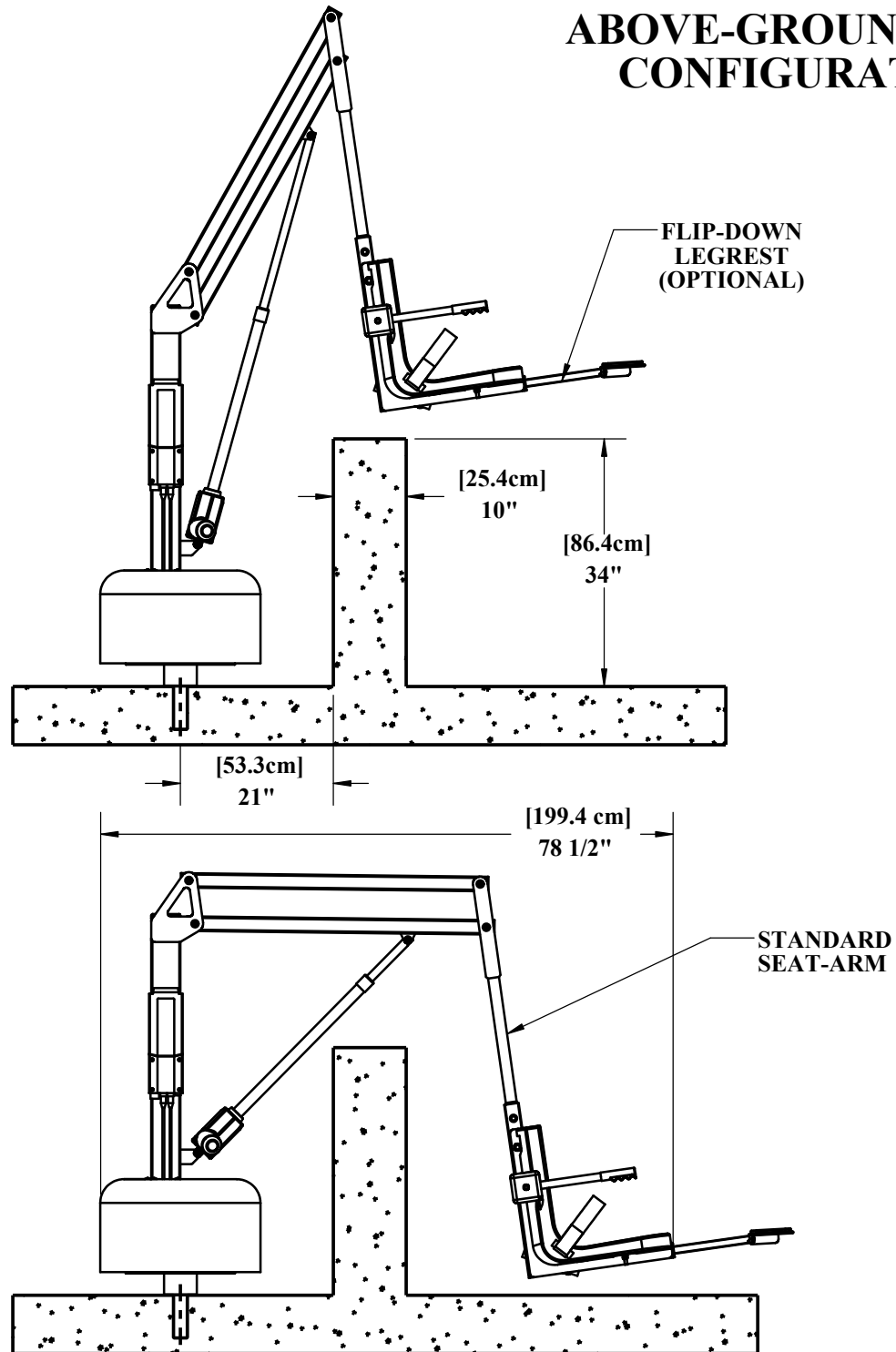
3015 W. RAILROAD ST. #8  
 MISSOULA, MT 59808  
 (406) 549-0769  
 FAX (406) 549-2602

NOTE:  
 \*SPECIFICATIONS ARE SUBJECT TO CHANGE WITHOUT NOTICE  
 \*ALL DIMENSIONS ARE IN INCHES



PRODUCT:	F-700RL	
DWG #:	F-700RL-1	
SCALE:	1:24	DATE: 3/3/08
DRAWN BY:	DS	REVISION: C

# ABOVE-GROUND (SPA) CONFIGURATION



WITH THE SEAT MOUNTED AT ITS HIGHEST POSITION THE REVOLUTION LIFT WILL CLEAR A 34" [86.4cm] HIGH BY 10" [25.4cm] THICK WALL. THE SETBACK DISTANCE FOR THIS SITUATION IS 21" [53.3cm]. FOR OTHER APPLICATIONS AN OPTIONAL SPA SEAT-ARM IS AVAILABLE, MAKING IT POSSIBLE FOR THE REVOLUTION LIFT TO CLEAR UP TO A 48" [121.9cm] HIGH WALL. AN OPTIONAL FLIP-DOWN LEGREST IS ALSO AVAILABLE FOR ABOVE-GROUND APPLICATIONS (SHOWN).

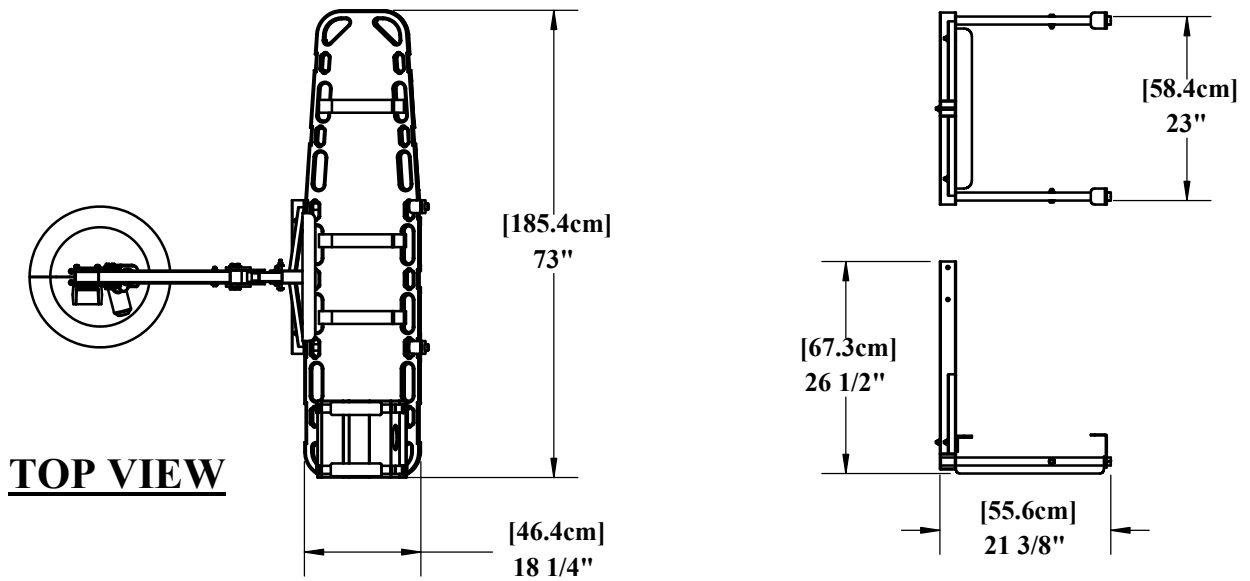


3015 W. RAILROAD ST. #8  
 MISSOULA, MT 59808  
 (406) 549-0769  
 FAX (406) 549-2602

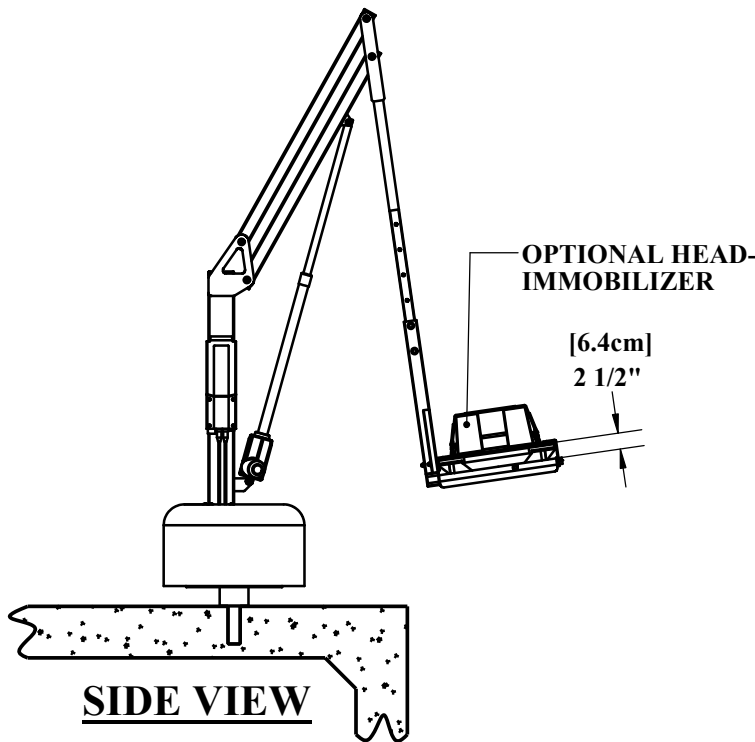
NOTE:  
 \*SPECIFICATIONS ARE SUBJECT TO CHANGE WITHOUT NOTICE  
 \*ALL DIMENSIONS ARE IN INCHES

PRODUCT:	F-700RL	
DWG #:	F-700RL-2	
SCALE:	1:24	DATE: 3/3/08
DRAWN BY:	DS	REVISION: C

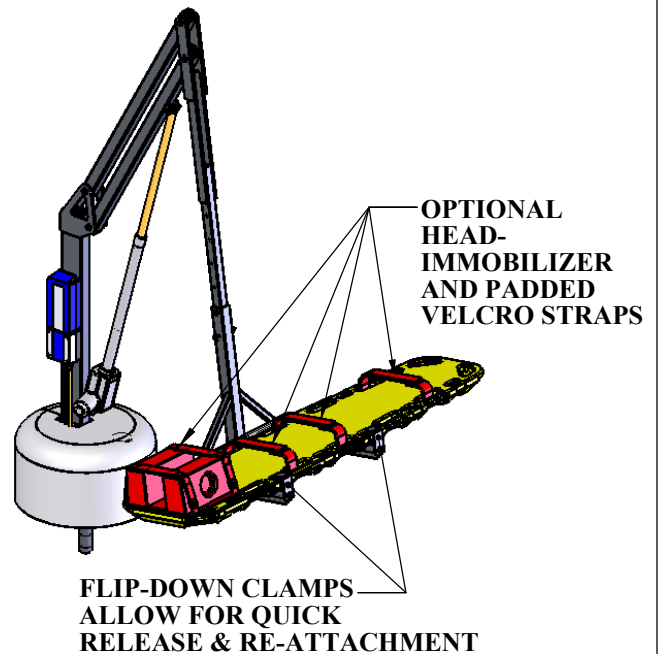
# REVOLUTION LIFT WITH OPTIONAL SPINEBOARD ATTACHMENT



**TOP VIEW**



**SIDE VIEW**



**FLIP-DOWN CLAMPS  
ALLOW FOR QUICK  
RELEASE & RE-ATTACHMENT**

THE REVOLUTION LIFT CAN BE PURCHASED WITH AN OPTIONAL SPINEBOARD ATTACHMENT (WITH SPINEBOARD) FOR ADDITIONAL FUNCTIONALITY. THE SPINEBOARD ATTACHMENT WILL WORK IN BOTH ABOVE-GROUND AND IN-GROUND CONFIGURATIONS, AND WILL ALSO CLEAR A 34" [86.4cm] SPA WALL WITH THE STANDARD SEAT-ARM. WITH THE OPTIONAL SPA SEAT-ARM THE SPINEBOARD ATTACHMENT WILL CLEAR A 48" [122cm] WALL. THE SPINEBOARD MEASURES 73" [185.4cm] LONG BY 18-1/4" [46.4cm] WIDE BY 2-1/2" [6.4cm] THICK, AND IS MADE OF ROTATIONALLY MOLDED LLDPE. THE ATTACHMENT IS MADE OF TYPE 304 STAINLESS STEEL, AND IS EPOXY POWDER COATED.

FOR ADDITIONAL SAFETY AND FUNCTIONALITY, A HEAD IMMOBILIZER & PADDED VELCRO STRAP KIT IS AVAILABLE AS AN OPTION TO THE SPINEBOARD ATTACHMENT. THE KIT COMES WITH A THICK-FOAM HEAD IMMOBILIZER AND THREE (3) PADDED VELCRO STRAPS.

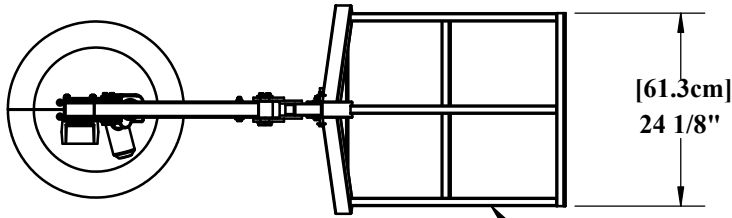
3015 W. RAILROAD ST. #8  
MISSOULA, MT 59808  
(406) 549-0769  
FAX (406) 549-2602

NOTE:  
\*SPECIFICATIONS ARE SUBJECT TO CHANGE WITHOUT NOTICE  
\*ALL DIMENSIONS ARE IN INCHES



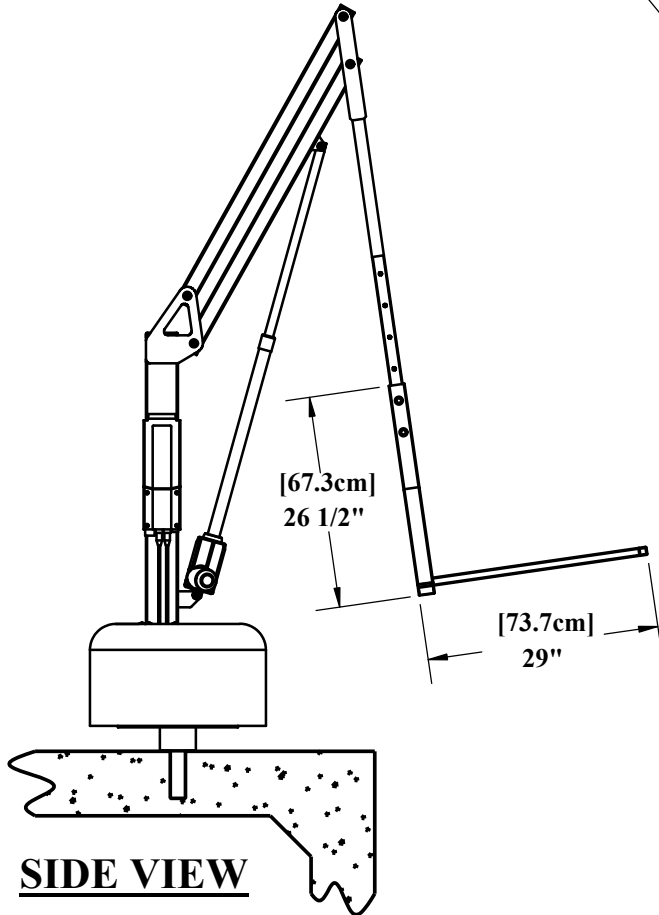
PRODUCT:		F-700RL & F-740RSBA	
DWG #:		F-700RL-3	
SCALE:	1:30	DATE:	3/3/08
DRAWN BY:	DS	REVISION:	C

# REVOLUTION LIFT WITH OPTIONAL STRETCHER/GURNEY ATTACHMENT

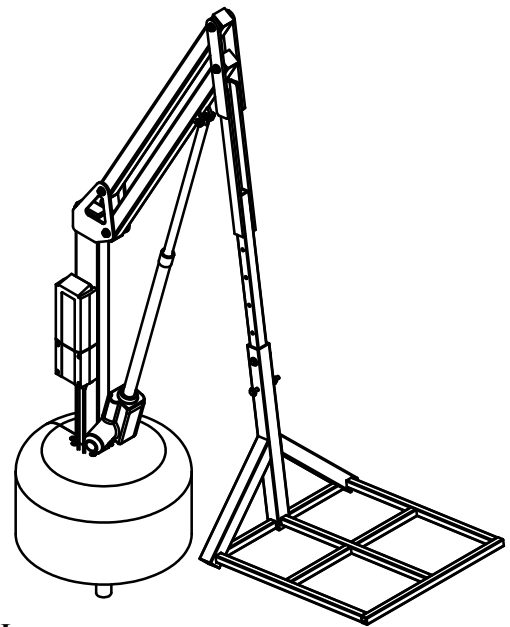


**TOP VIEW**

**OPTIONAL STRETCHER/GURNEY ATTACHMENT (PART NUMBER: F-730RSA)**



**SIDE VIEW**



THE REVOLUTION LIFT IS ALSO AVAILABLE WITH AN OPTIONAL STRETCHER/GURNEY ATTACHMENT FOR ADDITIONAL VERSATILITY. THE STRETCHER/GURNEY ATTACHMENT WILL ALSO WORK IN BOTH ABOVE-GROUND AND IN-GROUND CONFIGURATIONS, AND WILL CLEAR A 34" [86.4cm] HIGH WALL WITH THE STANDARD SEAT-ARM. WITH THE OPTIONAL SPA SEAT-ARM IT WILL CLEAR A 48" [122cm] WALL. THE STRETCHER/GURNEY ATTACHMENT IS MADE OF TYPE 304 STAINLESS STEEL, AND IS EPOXY POWDER COATED.



3015 W. RAILROAD ST. #8  
 MISSOULA, MT 59808  
 (406) 549-0769  
 FAX (406) 549-2602

NOTE:  
 \*SPECIFICATIONS ARE SUBJECT TO CHANGE WITHOUT NOTICE  
 \*ALL DIMENSIONS ARE IN INCHES

PRODUCT:		F-700RL & F-730RSA	
DWG #:		F-700RL-4	
SCALE:	1:24	DATE:	3/3/08
DRAWN BY:	DS	REVISION:	C