

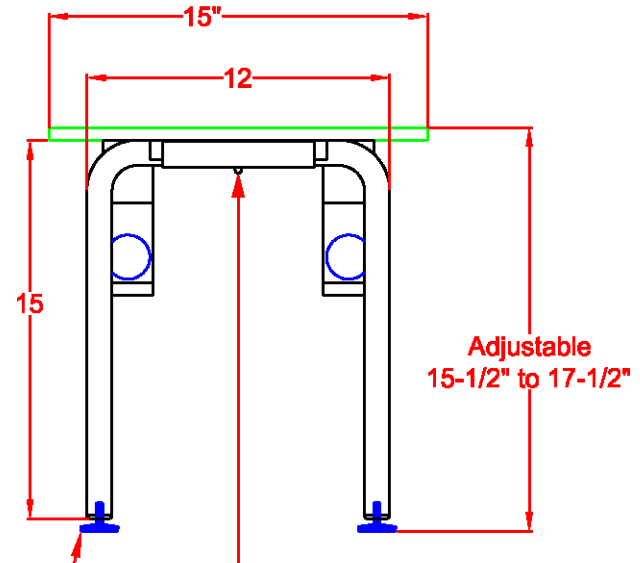
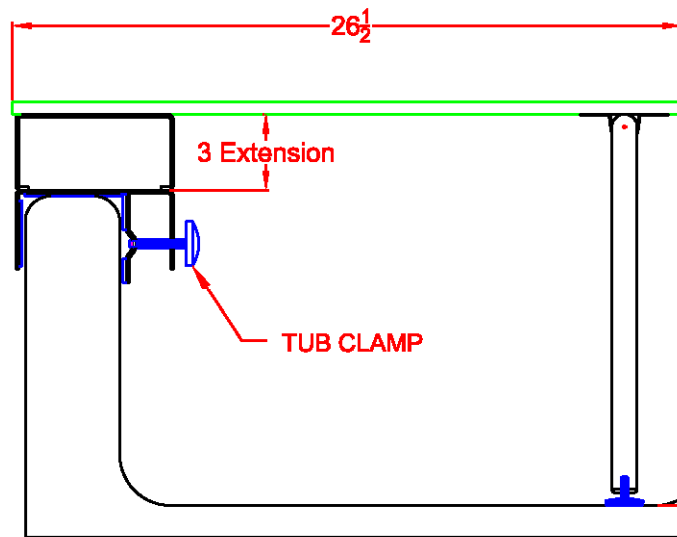
MATERIAL:

SEAT... 1/2" Phenolic, White or Teak Finish

LEG... 1" Dia. x 18 ga. 304 Stainless Steel with Adjustable Leg Height, 12-3/4" to 14".

TUB CLAMP.... Adjustable 3-3/4" to 5-3/4"
10 ga. 304 Stainless Steel, Rubber Lined.

Note: This seat is Designed to Universally fit the four (4) tubs used by NYHA.
American Standard - Princeton
Kohler - Villager K-15
Crane - San Marcos
Elger



ADJUSTABLE RUBBER FEET
5/16-18 x 3-1/2" LONG STUD
WITH LOCKING NUT.

FOR USE: SWING DOWN LEGS, THE
LOCKING PIN WILL AUTOMATICALLY
HOLD THE LEGS IN PLACE.

SH-426