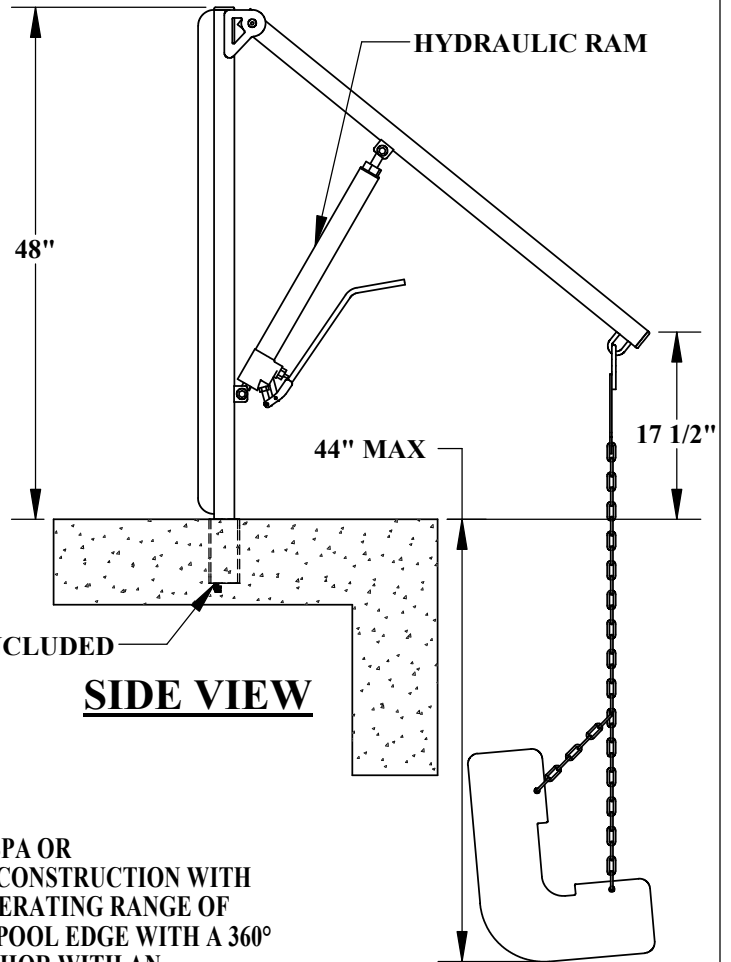
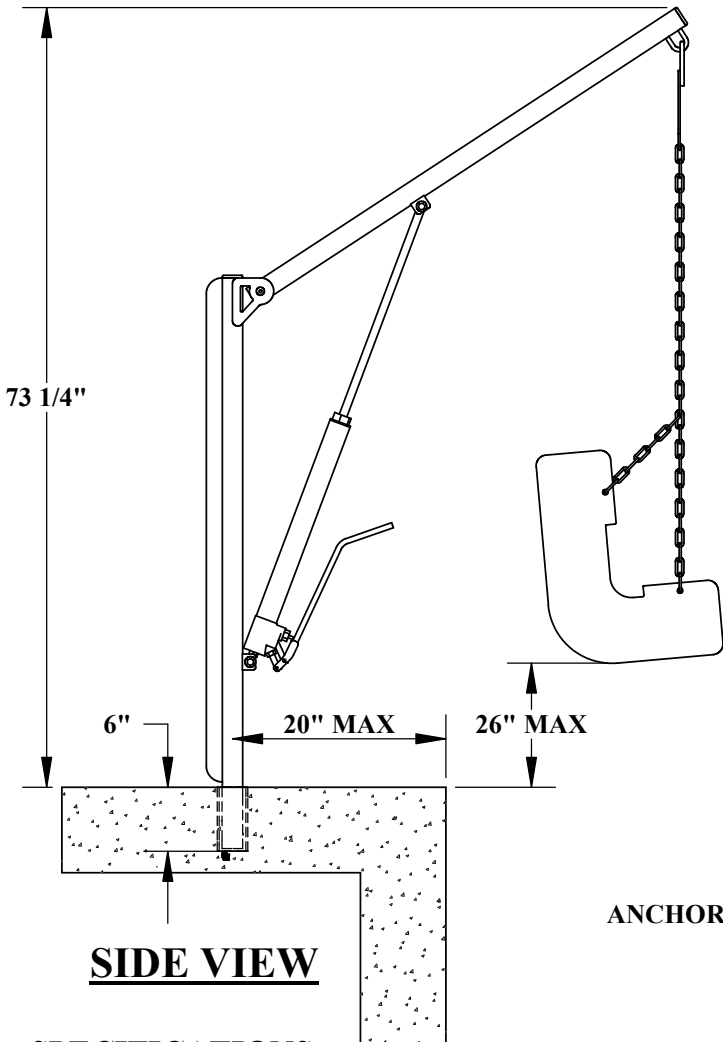


EZ POOL LIFT™

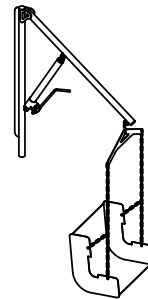
THE EZ POOL LIFT WILL CLEAR A 26" ABOVE GROUND POOL OR SPA



SPECIFICATIONS

THE AQUA CREEK EZ POOL LIFT SHALL BE A HAND POWERED SPA OR IN-GROUND POOL LIFT. THE LIFT SHALL BE STAINLESS STEEL CONSTRUCTION WITH A LIFTING CAPACITY OF 400 LBS. THE LIFT SHALL HAVE AN OPERATING RANGE OF 53". THE EZ POOL LIFT CAN BE SETBACK UP TO 20" FROM THE POOL EDGE WITH A 360° MANUAL ROTATION. THE UNIT SHALL INCLUDE A 6" DEEP ANCHOR WITH AN ANTI-TAMPER LID. THE UNIT IS PORTABLE AND CAN BE REMOVED WITHOUT TOOLS. A 5 YEAR STRUCTURAL AND 1 YEAR SLING WARRANTY IS STANDARD.

- MAST: 1.9" O.D. .145" WALL STAINLESS STEEL TUBE TYPE 304 WITH REINFORCING FIN
- BOOM: 1.9" O.D. .145" WALL STAINLESS STEEL TUBE TYPE 304 WITH REINFORCING FIN
- RAM: SELF-CONTAINED POWER-PACKER HYDRAULIC RAM WITH NITROTEC FINISH
- SLING: 100% POLYESTER MESH RATED FOR PATIENT LIFTING DEVICES
- CHAIN: STAINLESS STEEL TYPE 304
- FINISH: UV RESISTANT POLYESTER POWDER-COATING



3015 W. RAILROAD ST. #8
 MISSOULA, MT 59808
 (406) 549-0769
 FAX (406) 549-2602

NOTE:

*SPECIFICATIONS ARE SUBJECT TO CHANGE WITHOUT NOTICE
 *ALL DIMENSIONS ARE IN INCHES

PRODUCT:	F-003EZPL	
DWG#:	F-003EZPL	
SCALE:	1:18	DATE: 09/10/06
DRAWN BY:	DS	REVISION: B