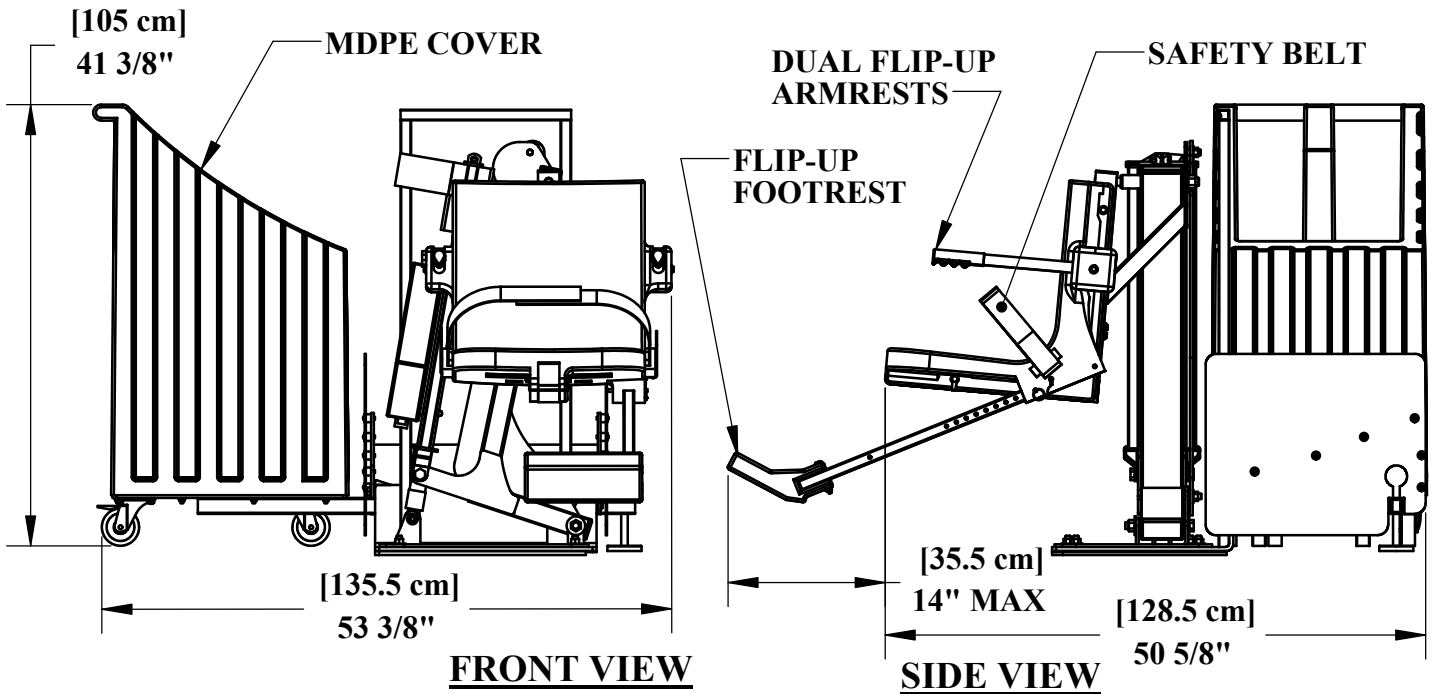
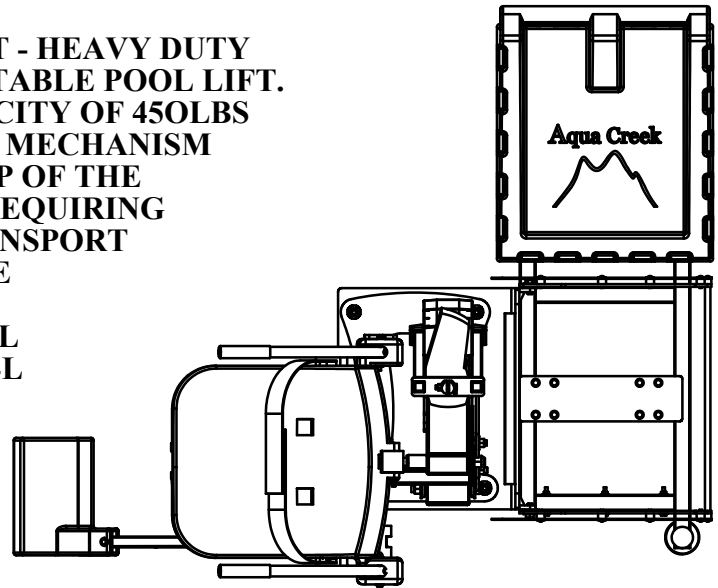


PATRIOT PORTABLE LIFT™ HEAVY DUTY



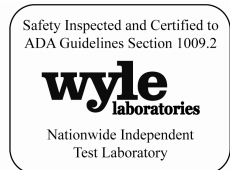
SPECIFICATIONS:

THE AQUA CREEK PATRIOT PORTABLE LIFT - HEAVY DUTY SHALL BE AN ADA COMPLIANT FULLY PORTABLE POOL LIFT. IT SHALL HAVE A MAXIMUM LIFTING CAPACITY OF 450 LBS (204 kg). IT SHALL INCORPORATE A SLIDING MECHANISM ALLOWING THE LIFT TO BE STORED ON TOP OF THE FRAME FOR TRANSPORTATION WITHOUT REQUIRING ANY DISSASSEMBLY OR TOOLS. IN THE TRANSPORT CONFIGURATION, THE ASSEMBLY SHALL BE CAPABLE OF BEING ROLLED THROUGH A STANDARD 36" WIDE DOORWAY. ALL METAL COMPONENTS SHALL BE MADE OF TYPE 304L STAINLESS STEEL, AND SHALL BE POWDER COATED FOR ADDITIONAL CORROSION RESISTANCE. THE COVER, SEAT AND FOOTREST SHALL BE MADE FROM ROTOMOLDED POLYETHYLENE. ALL OTHER PLASTIC PARTS SHALL BE MADE FROM UHMW POLYETHYLENE. DUAL FLIP-UP ARMRESTS, A FLIP-UP FOOTREST AND A SAFETY BELT SHALL COME AS STANDARD EQUIPMENT.



TOP VIEW

- FRAME: 1-1/2" x .180" WALL SQR. TUBING, TYPE 304L S.S.
- BASE PLATE: 3/8" THK. PLATE, TYPE 304L S.S.
- COVER: ROTOMOLDED MDPE (MEDIUM DENSITY POLYETHYLENE)
- CASTERS: Ø3-1/2" RUBBER WHEEL, STAINLESS STEEL FRAME (2 WITH BRAKES)



CERTIFIED ADA COMPLIANT!



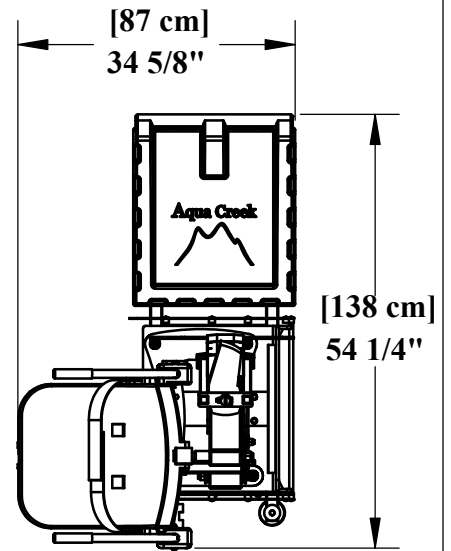
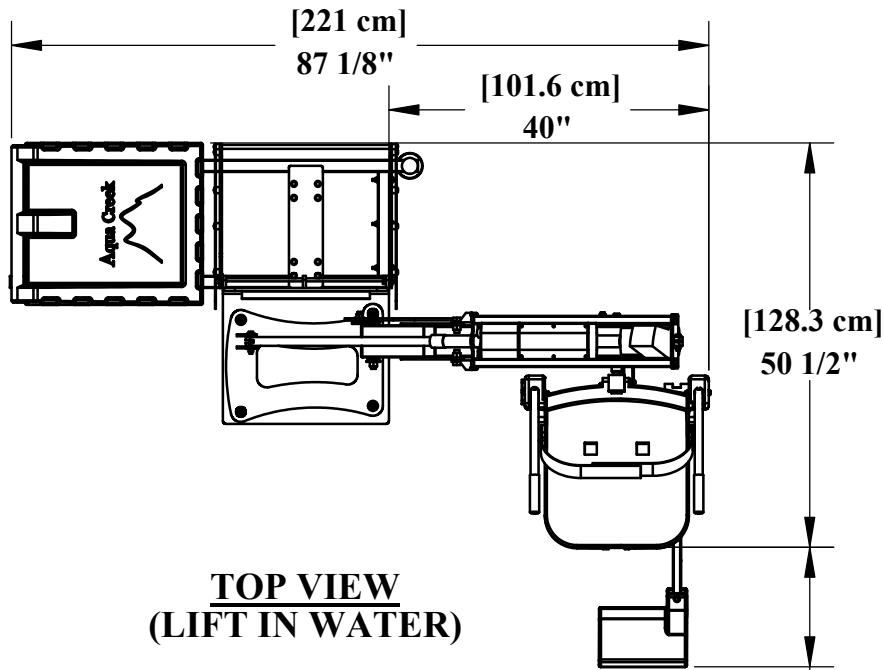
9889 GARRY MORE LANE
 MISSOULA, MT 59808
 (406) 549-0769
 FAX (406) 549-2602

NOTE:
 *SPECIFICATIONS ARE SUBJECT TO CHANGE WITHOUT NOTICE
 *ALL DIMENSIONS ARE IN INCHES

The Total Solution for Pool and Spa Access

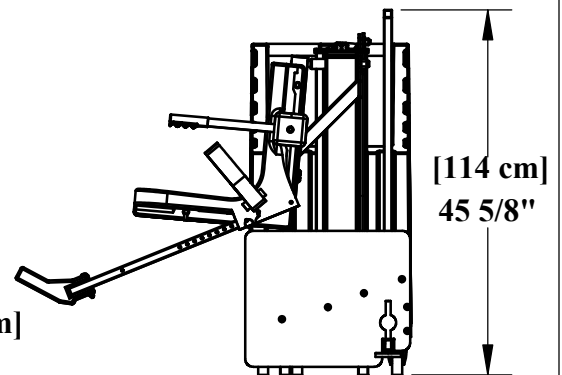
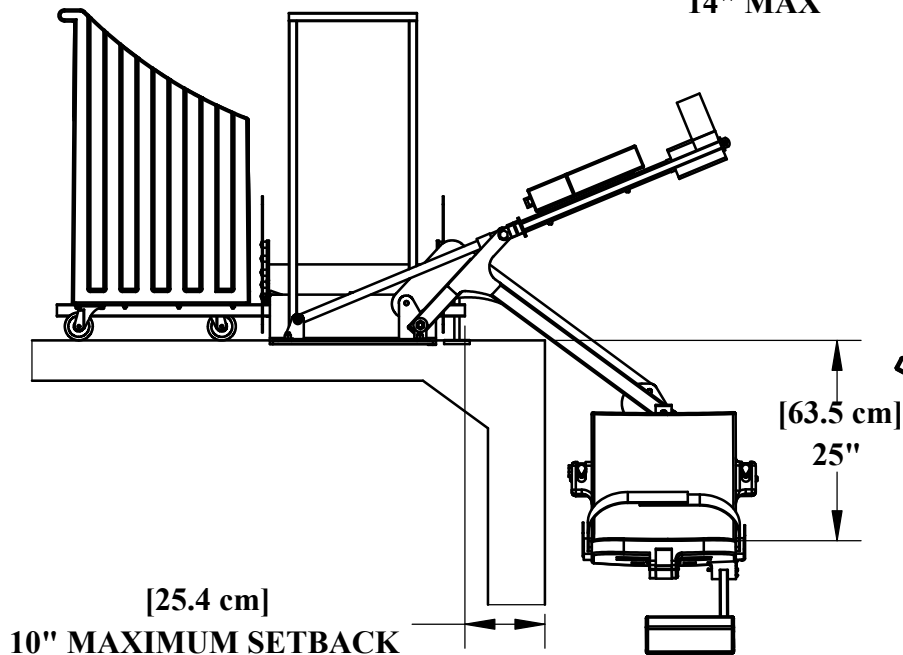
PRODUCT:	F-12PPL-HD	
DWG #:	F-12PPL-HD-1	
SCALE:	1:18	DATE: 11/16/09
DRAWN BY:	DS	REVISION: C

PATRIOT PORTABLE LIFT™ HEAVY DUTY



[35.5 cm]
14" MAX

**TOP VIEW
(LIFT STOWED)**



CERTIFIED ADA COMPLIANT!



9889 GARRY MORE LANE
MISSOULA, MT 59808
(406) 549-0769
FAX (406) 549-2602



Aqua Creek Products

The Total Solution for Pool and Spa Access

NOTE:
*SPECIFICATIONS ARE SUBJECT TO CHANGE WITHOUT NOTICE
*ALL DIMENSIONS ARE IN INCHES

PRODUCT:	F-12PPL-HD	
DWG #:	F-12PPL-HD-2	
SCALE:	1:24	DATE: 11/16/09
DRAWN BY:	DS	REVISION: C